

CSX-3 288/432 and 864 Pad Mount Cabinet Frame

I N S T A L L A T I O N I N S T R U C T I O N

Mounting Base for CSX-3 Cabinets

1.0 General Product Information

The CSX-3 288/432 and 864 pad mount cabinet frames provide a mounting base for the CSX-3 cabinet when installed in a concrete pad foundation.

Note: *Mounting the CSX-3 288/432 and 864 pad mount cabinets directly on a concrete pad may damage the cabinet through chemical corrosive action.*



Fig. 1

2.0 Kit Contents

- * Stainless steel base
- * Stainless steel bolt(s), washer(s)
- * Installation Instructions

3.0 Tools Needed

- * Tape measure
- * Level
- * Hoist straps, required for lifting cabinet
- * Socket wrench that matches mounting hardware

4.0 Safety Precautions

1. Follow all company approved procedures.
2. Never allow anyone to work, stand or pass under a suspended cabinet.
3. A minimum 1-ton cable hoist should be used to move the cabinet.
4. When using cable hoist there should be a minimum of 8ft between hoist and top of cabinet or use a cable spreader to prevent bending of eye hooks.
5. The cabinet should not be removed from the pallet until it is at the installation site.

5.0 Cable Conduit Installation

1. Install cable conduit and position it so that the top of each upward bend will be located within the opening of the concrete pad.
2. When installed, the top of the conduit should be located 1 to 2 inches below the top of the finished pad.
3. Install the conduit before pouring the pad.

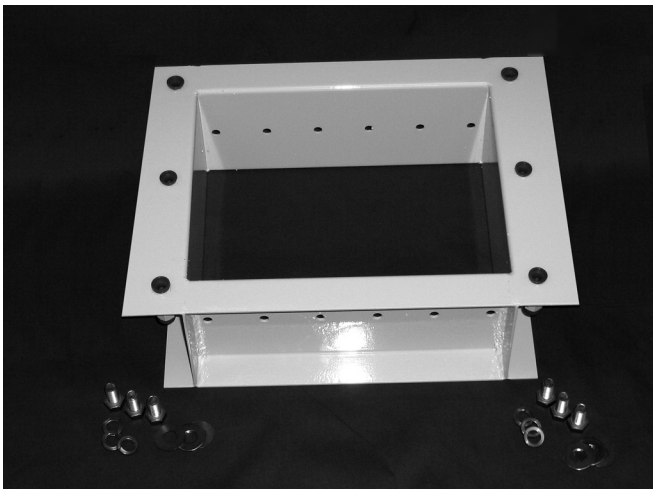


Fig. 2

6.0 Preparation

1. Prepare a base for the concrete pad that meets all local codes, BLD codes and company approved procedures.

Note: For recommended pad sizes, refer to the drawings on pages 3 and 4.

2. Position the CSX-3 288/432 or 864 mounting cabinet frame. When installed, the top surface of the template must be flush and level with the top of the concrete pad. Use temporary framing to keep the top surface of the pad template level with the top of the concrete pad. Refer to Figures 3 and 4 on the previous page for relevant dimension information.

Note: Pour the concrete to form the pad but do not pour concrete into center area for conduit.

3. Allow some concrete to flow under the flanges on the pad mount so it will be locked in place when the concrete hardens.
4. Allow concrete to cure before proceeding with installation.

7.0 Grounding

1. Install a ground rod (not provided) that meets all local codes. When installed, the top of the rod should be located 1 to 2 inches below the top of the finished concrete pad.
2. Connect the ground wire to the ground rod. Leave enough slack in the ground wire to allow it to be routed into the cabinet as the cabinet is mounted.

Note: Check local codes for ground system installation and grounding requirements.

8.0 Mounting Cabinet

1. Remove plastic plugs that are installed in the threaded nuts on the top of the frame and clean off any concrete that may have adhered to the top of the pad mount.
2. Using appropriate lifting equipment, hold the cabinet in position in front of mounting template.
3. Feed each cable into appropriate conduit section and route to the splice closure.

Note: Splice closure not included.

4. Position cabinet over mounting holes as last section of cable is fed through conduit. Be sure not to kink cable.

Note: Minimum bend radius is 10 times the cable diameter, or 20 times the cable diameter with a load.

5. Secure cabinet into place with the mounting bolts and washers that are included in the pad template kit. Apply 80 - 90 ft./lbs. of torque to secure the bolts. (Fig. 5)

Note: Invert the cabinet lifting hoist plates on the cabinet so they do not protrude above the top surface of the cabinet.

Refer to CSX-3 cabinet installation instruction for grounding, opening, routing, and closing cabinet.

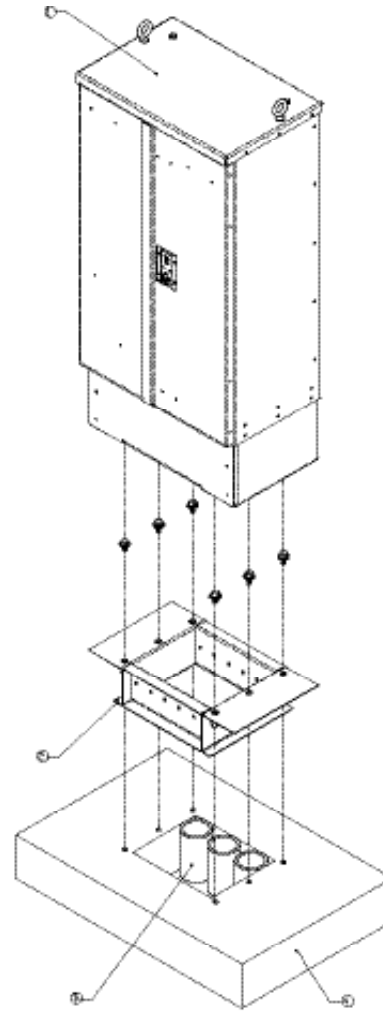


Fig. 5

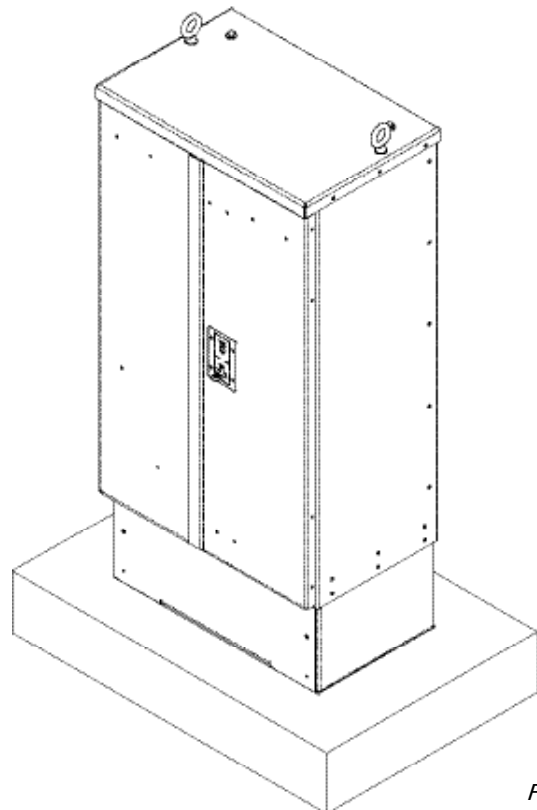


Fig. 6

CSX-3 288/432
Pad Mount Cabinet
Frame

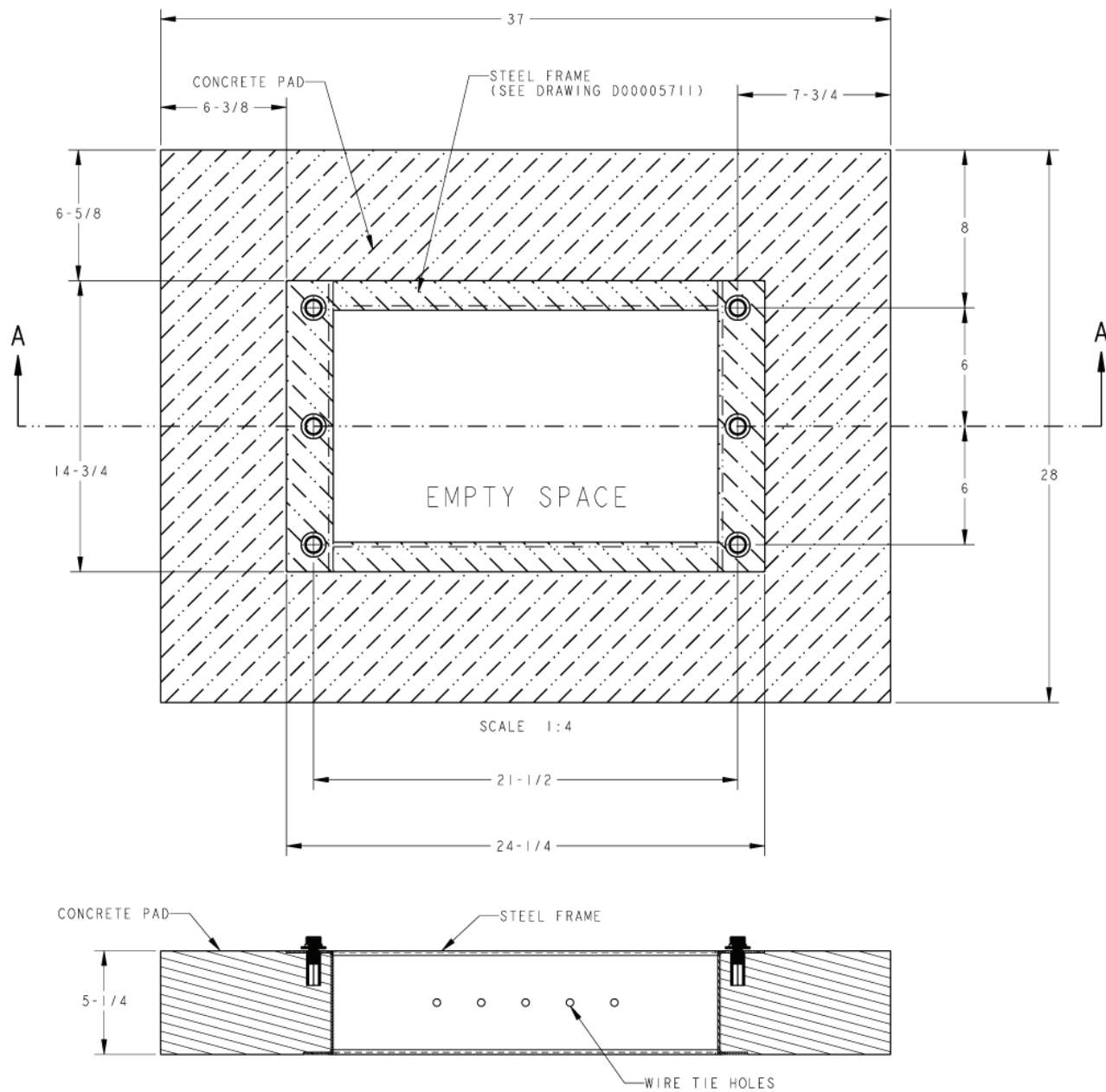


Fig. 3

CSX-3 864
Pad Mount Cabinet
Frame

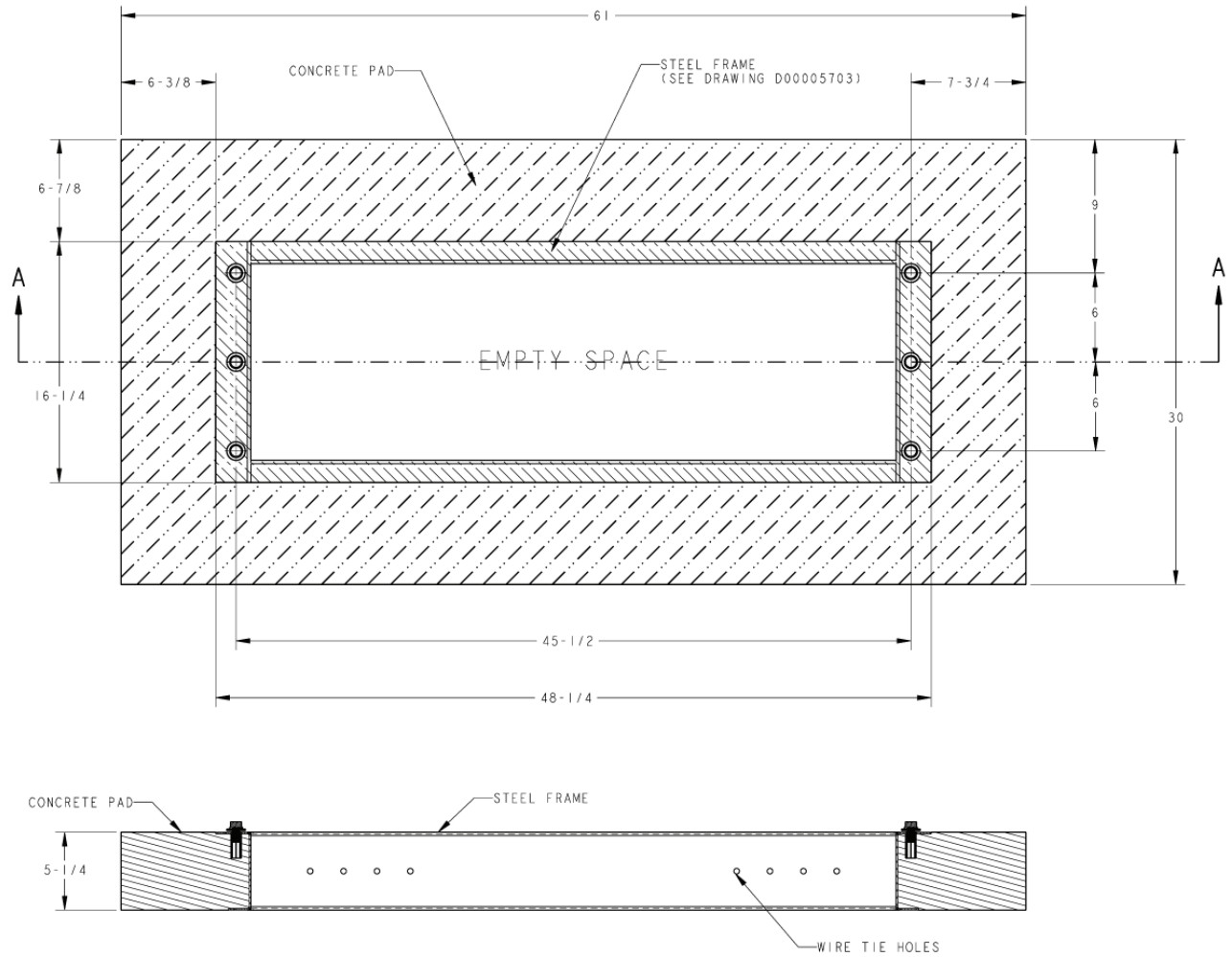


Fig. 4

Tyco Electronics Corporation

8000 Purfoy Road
 Fuquay-Varina, NC 27526-3000
 Tel.: 919-557-8900
 Fax: 919-557-8498
 www.tycoelectronics.com

CSX-3, TE logo, and Tyco Electronics are trademarks.

The information given herein, including drawings, illustrations and schematics which are intended for illustration purposes only, is believed to be reliable. However, Tyco Electronics makes no warranties as to its accuracy or completeness and disclaims any liability in connection with its use. Tyco Electronics' obligations shall only be as set forth in Tyco Electronics' Standard Terms and Conditions of Sale for this product and in no case will Tyco Electronics be liable for any incidental, indirect or consequential damages arising out of the sale, resale, use or misuse of the product. Users of Tyco Electronics products should make their own evaluation to determine the suitability of each such product for the specific application.